

# HFMED<sup>®</sup>

## YD02-LED5+5

(LED)Shadowless Operating lamp

Excellent cold light:adopting LED as light source,without temperature rising.

Excellent daylight quality and CRI meet the illumination needs of the doctors.

Excellent lighting effect:unique optical system,homogenous light spot,high-definition.

Brightness Adjustment:Micro computer digital control,with 8 shifts luminance for selection and it offers illuminance memory function and wide voltage working speciality.



### HFMED<sup>®</sup>

YOUR IDEAL OPERATING TABLE SUPPLIER

**SHANGHAI HUIFENG MEDICAL INSTRUMENT CO.,LTD**

Address: NO.885, Qiuxing Road, Nicheng Town, Pudong New Area, Shanghai, China.

Tel: +862158084992

Mob: +862158285105

Email: [lisa@hui Feng-co.com](mailto:lisa@hui Feng-co.com)

Web: [www.sh-hui Feng.com](http://www.sh-hui Feng.com)



Official QR code



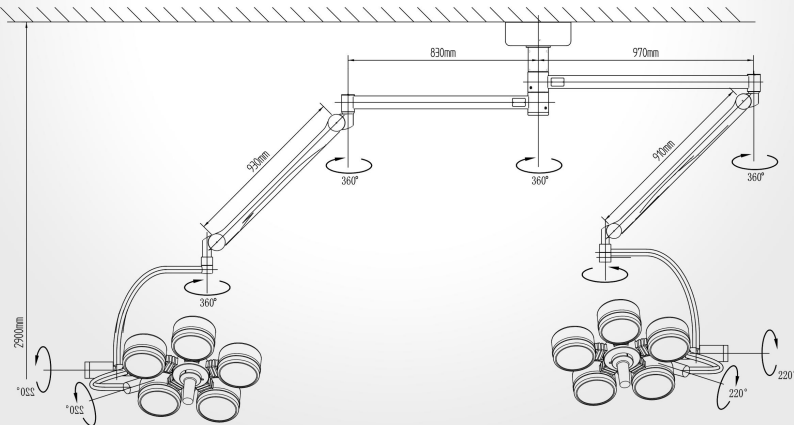
**YD02-LED5+5**  
(LED)Shadowless Operating lamp

# HFMED

SHANGHAI HUIFENG MEDICAL INSTRUMENT CO.,LTD



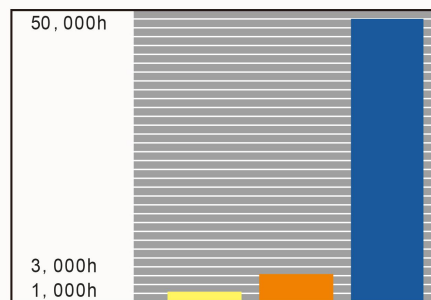
**YD02-LED5+5**



## YD02-LED5+5

Renew operation irradiation parts rapidly and improves doctor's working environment

Illuminance equality, high shadowless rate, high definition to improve doctor's working efficiency



Long service life:  
Halogen generally is 1000 hours, the LED is the (Osram) more than 50000 hours.

## Main Technical Data

YD02-LED5+5 (LED)Shadowless Operating lamp	
Illuminance	≥150,000Lux ≥150,000Lux
Colour temperature	4800±300K
Colour reduction index(Ra)	96
Total irradiance	555W/ m <sup>2</sup> 555W/ m <sup>2</sup>
Size of light field	100~240mm
Service life of illuminant	50,000h
Power supply voltage	AC110-240V 50/60Hz
Best height of installation	2900mm
Rated power of bulb	3.2V/1W
Illuminance depth	600mm
Lamp head diameter	550mm/550mm
ENDO	YES

